

Control Series: Snap Latch Hinged Cover With Window

APPLICATION

- Designed to insulate and house electrical and electronic controls, instruments or components for indoor and outdoor applications
- Especially well suited for high temperature or corrosive environments
- Protects from dirt, dust, oil and water
- Window unit provides viewing area for instrumentation or equipment

STANDARDS

- UL Types 1, 2, 3, 4, 4X, 12, and 13
- CSA Types 1, 2, 3, 3R, 4, 4X, 12 and 13
- NEMA Types 1, 2, 3, 3R, 4, 4X, 12 and 13
- IEC 60529 Type IP66
- Compliant with RoHS directive (Restriction of Hazardous Substances)

CONSTRUCTION

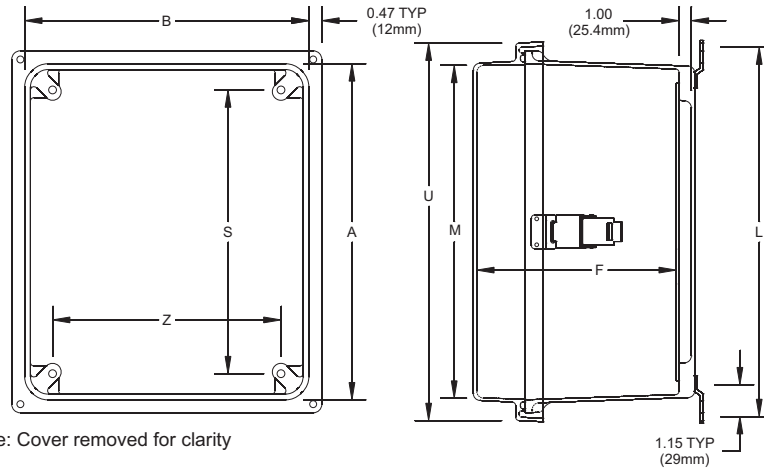
- Strong, molded Ultraguard® fiberglass reinforced polyester material construction with matching raised cover
- Full panel access
- All usable panel space
- UV resistant polycarbonate viewing window
- 304 stainless steel snap latches feature padlock hasp
- Continuous stainless steel hinge
- Closed-cell neoprene gasket encased in a continuous channel
- 304 stainless steel wall mounting feet with 3/8-16 stainless steel screws included
- 3/8-16 threaded inserts are installed for optional back panel
- Ultraguard® fiberglass material is easily punched, drilled or sawed
- UV stabilized for outdoor use

ACCESSORIES

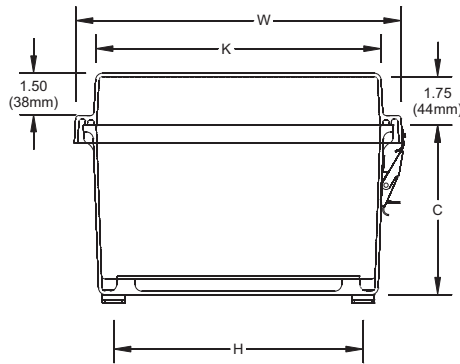
- Optional back panels (See table on pages 100-101.)
- Optional deadfront panel (See table on pages 100-101.)
- Optional thermal management products (See pages 102-103.)

MODIFICATIONS

- Custom size holes and cutouts
- Custom size polycarbonate viewing windows
- Molded-in color matches
- EMI/RFI shielding
- Factory-supplied silk screening



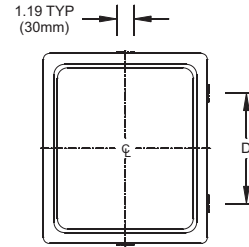
Note: Cover removed for clarity



Nominal 1/8" (3mm) wall thickness

LATCH LOCATIONS

For use on:
 24x20x8 D=16.00 (406mm) 24x20x10 D=16.00 (406mm)
 24x24x8 D=16.00 (406mm) 24x24x10 D=16.00 (406mm)
 30x24x8 D=19.98 (507mm) 30x24x10 D=19.98 (507mm)



CONTROL SERIES

Part No.	Box Size			Usable Depth F	Panel Boss Centers		Foot Mount Centers		Cover Size				Window Dimension (height x width)
	A	B	C		S	Z	H	L	K	M	U	W	
AM24208RLW	24.00 610mm	20.00 508mm	8.13 207mm	8.56 217mm	19.25 489mm	15.25 387mm	18.75 476mm	26.85 682mm	20.16 512mm	24.16 614mm	25.59 650mm	21.59 548mm	16.00 X 12.00 406mm X 305mm
AM24248RLW	24.00 610mm	24.00 610mm	8.13 207mm	8.56 217mm	19.25 489mm	19.25 489mm	22.75 578mm	26.85 682mm	24.16 614mm	24.16 614mm	25.59 650mm	25.59 650mm	16.00 X 16.00 406mm X 406mm
AM30248RLW	30.00 762mm	24.00 610mm	8.13 207mm	8.56 217mm	25.25 641mm	19.25 489mm	22.75 578mm	32.85 834mm	24.16 614mm	30.16 766mm	31.59 802mm	25.59 650mm	23.00 X 17.00 584mm X 432mm
AM24200RLW	24.00 610mm	20.00 508mm	10.13 257mm	10.56 268mm	19.25 489mm	15.25 387mm	18.75 476mm	26.85 682mm	20.16 512mm	24.16 614mm	25.59 650mm	21.59 548mm	16.00 X 12.00 406mm X 305mm
AM24240RLW	24.00 610mm	24.00 610mm	10.13 257mm	10.56 268mm	19.25 489mm	19.25 489mm	22.75 578mm	26.85 682mm	24.16 614mm	24.16 614mm	25.59 650mm	25.59 650mm	16.00 X 16.00 406mm X 406mm
AM30240RLW	30.00 762mm	24.00 610mm	10.13 257mm	10.56 268mm	25.25 641mm	19.25 489mm	22.75 578mm	32.85 834mm	24.16 614mm	30.16 766mm	31.59 802mm	25.59 650mm	23.00 X 17.00 584mm X 432mm

All dimensions are in inches unless otherwise noted.



Order Today: 419-636-4217, Fax: 419-636-2450, e-mail: sales@alliedmoulded.com